

Twin PCS/AWS Diplexer with Nex10

SDXT-PA-N10

RF Diplexer for combining PCS (1850-1995MHz) and other mid. bands, AWS/WCS/BRS (1695-1780, 2110-2700MHz)

- PCS and AWS (or WCS, BRS) Combiner
- Multi-band port DAS or DRAN Application
- Wall-Mountable Single/Twin Diplexer
- Low Insertion/High Port Isolation
- Compact Size for Easy Installation
- Outdoor IP67 Rated
- Low PIM Rated
- Nex10 Connector



Parameter	Specifications	
Model	SDXT-PA-N10	
Freq. Range [MHz]	PCS (1850-1995)	AWS/WCS/BRS (1695-1780 & 2110-2700)
Insertion Loss [dB]	0.35	0.35
Return Loss [dB]	20	
Port Isolation [dB]	35	
Group Delay [ns]	13	8
PIM [dBc]	-155 @20Wx2	
Power Rating [W]	100 per port	
DC Pass & Lightning Protection	3A max @ Port 2, ±5 kA, 8/20us	
IP Rating	IP67	
Protection	Goretex Vent Plug & Ground Terminal (6 AWG)	
Operating Temp. [°F]	-40 to +149	
RF Connector	Nex10 Female	
Size (W x H x D)	3.94" x 2.56" x 1.97"	
Weight [lb]	1.75	

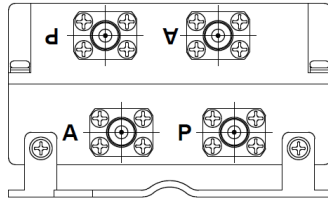
* Specifications are subject to change without prior notification.

Rev.1

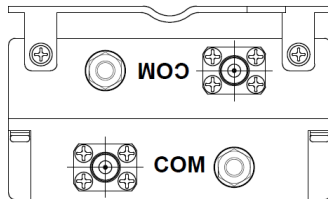
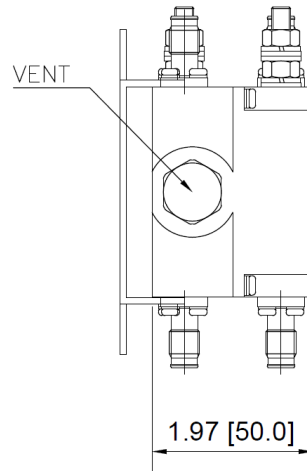
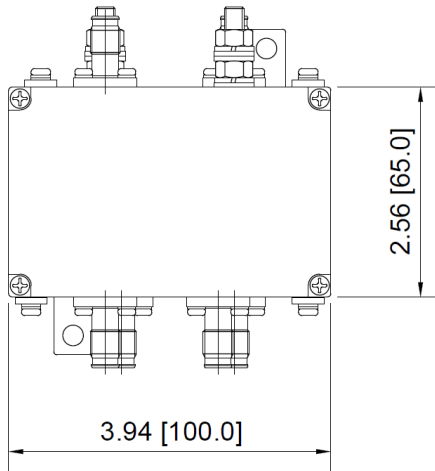
Twin PCS/AWS Diplexer with Nex10

SDXT-PA-N10

Mechanical Drawing



SDXT-PA-N10



Inch [mm]